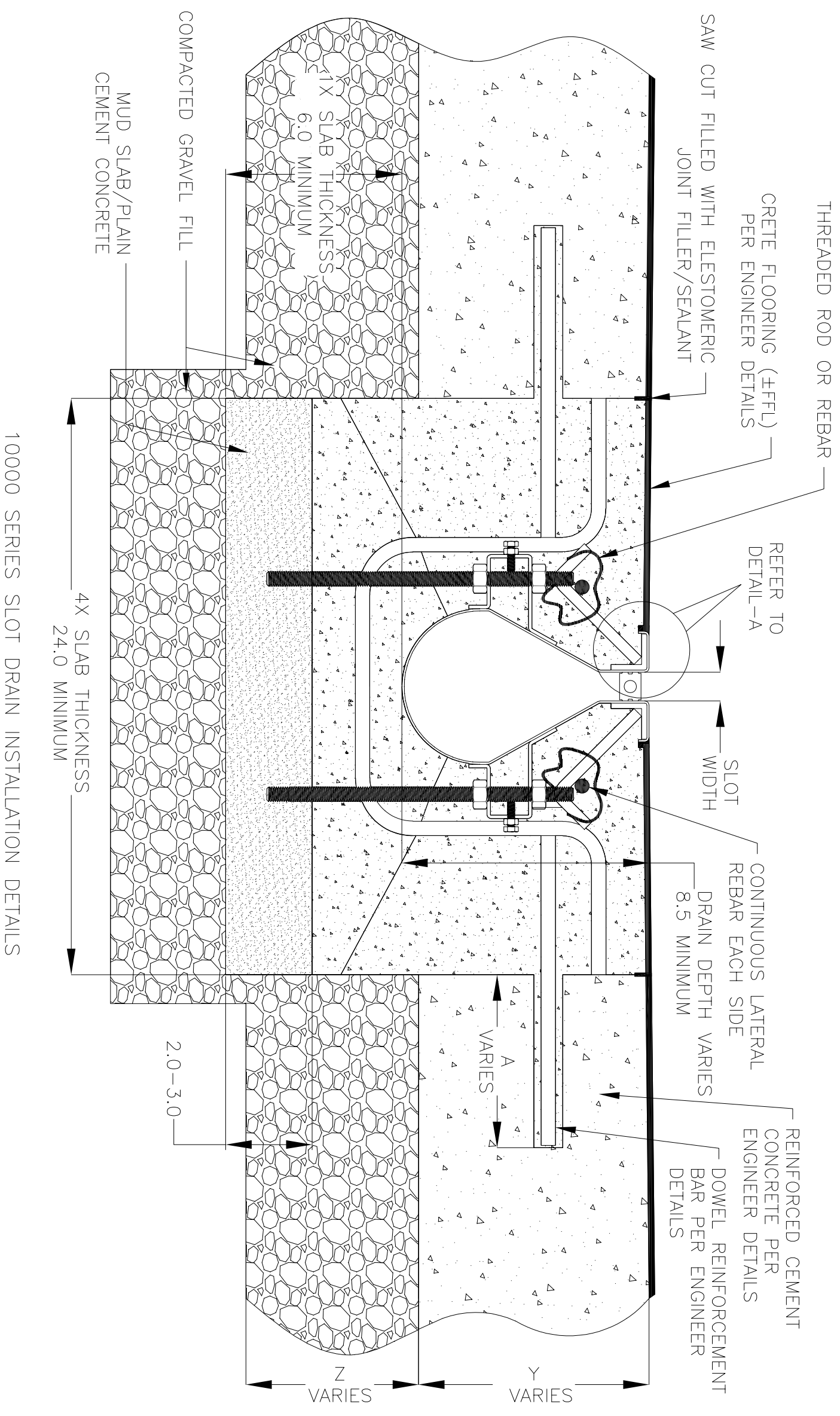
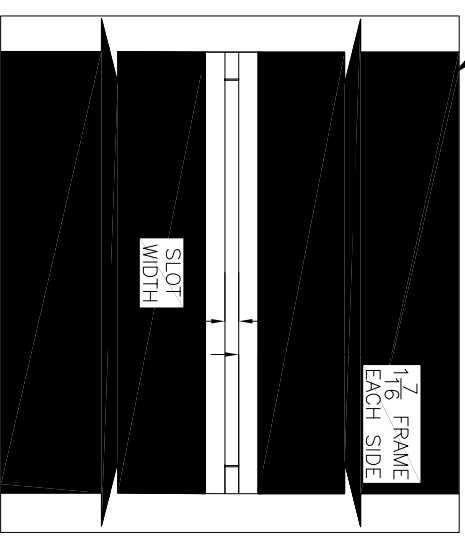


NOTES: UNLESS OTHERWISE SPECIFIED

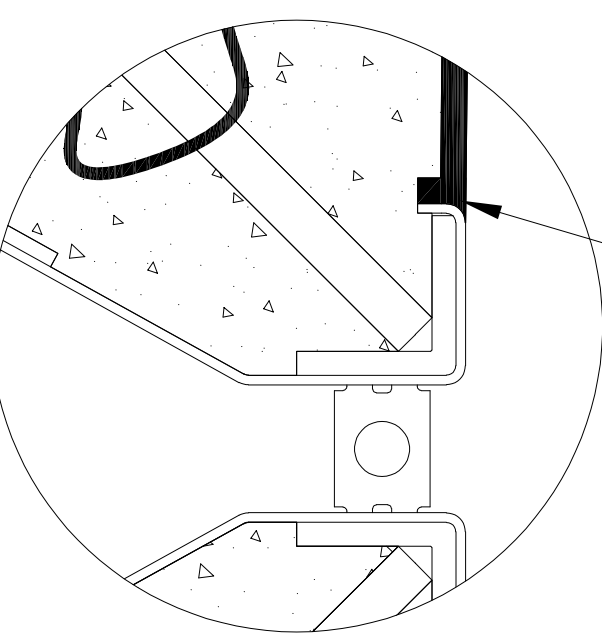
1. ALL DIMENSIONS ARE IN INCHES.
2. DRAIN BODY MATERIAL: 14GA STAINLESS STEEL T304/T316
3. SPECIFYING ENGINEER IS RESPONSIBLE FOR CONCRETE ENGAGEMENT AND REINFORCING BASED UPON APPLICATION AND LOCAL CODES.
4. REFER TO <https://info.slotdrainsystems.com/installresources> FOR INSTALLATION INSTRUCTIONS.



CRETE FLOORING (FFFL) PER ENGINEER DETAILS



PLAN VIEW



DETAIL-A

REVISIONS			
REV	DESCRIPTION	DATE	BY
0	INITIAL RELEASE - RO	12/2/2019	DK
1	UPDATED DRAIN LAYOUT WITH REBAR	12/2/2020	DK
2	UPDATED WITH GLOBAL DRAIN TEMPLATE	3/19/2024	DK



ALL DRAWINGS ARE THE EXCLUSIVE PROPERTY OF SLOT DRAIN SYSTEMS. ANY REPRODUCTION IN PART OR IN WHOLE IS PROHIBITED WITHOUT PROPER CONSENT.

DRAWING TITLE		CRETE FLOOR-RETROFIT INSTALLATION	
DRAIN SERIES	10000 SERIES SLOT DRAIN	REV.	2
DWG NO.	IN-SD10000-100-R2	SIZE	B
		SCALE	NTS
		SHEET	1 OF 1